

STANDARD MATERIALS AND CONSTRUCTION

FRAME: .081" thk. (nominal) extruded aluminum, 6063-T52/T6 alloy.

BLADE: .081" thk. (nominal) extruded aluminum, 6063-T52/T6 alloy.
Operable blade is .050" thk (nominal). Blades are approximately 4" on centers.

LOUVER FACE: Full width head and sill with blades contained within jambs.

SCREEN: (When indicated, in a removable frame)

½" flattened aluminum, .051" thk,

-or- Insect screen 18/16 aluminum mesh, .011" thk,

-or- ½" sq. mesh intermediate double crimped aluminum wire, .063" dia,

FINISH: Mill.

OPTIONS

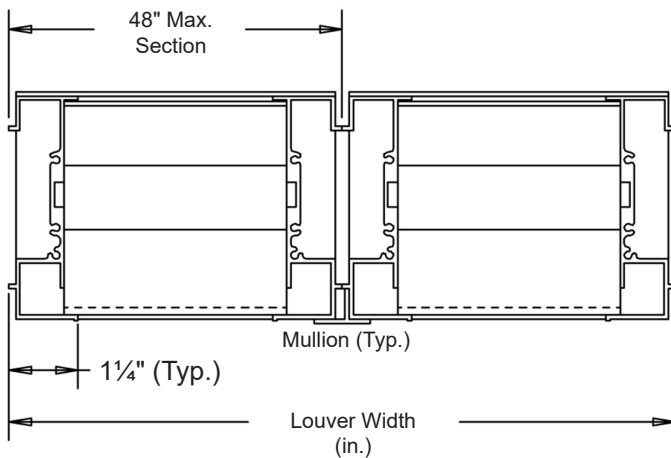
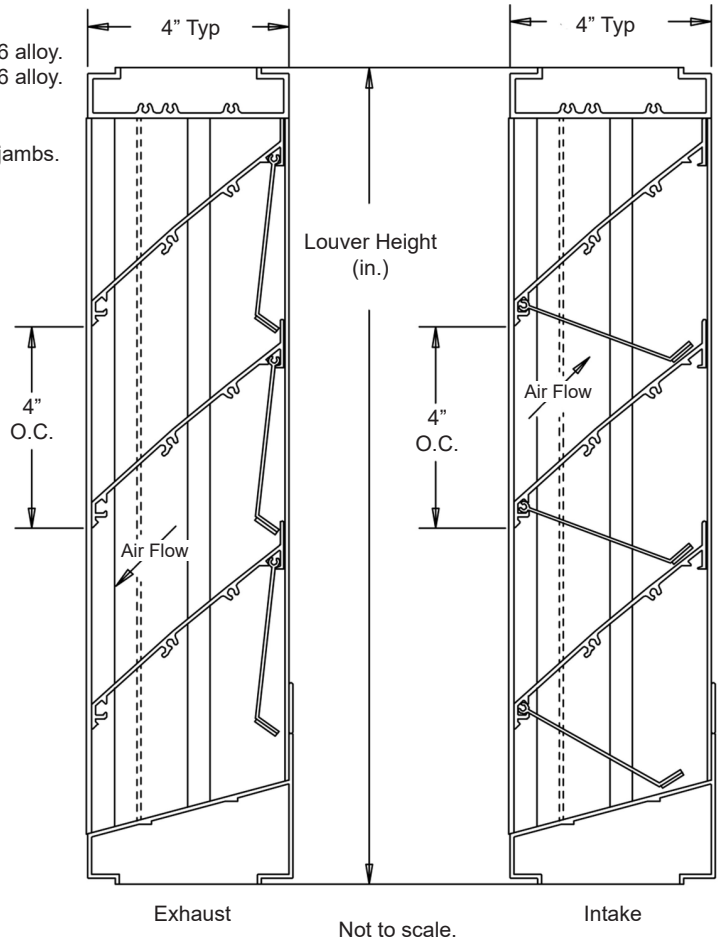
Finishes - Enamels, Epoxies, etc.

NOTES

1. Nominal deductions will be made to the opening size given.
2. Inter-connecting linkage and counterweights are not available.
3. Specify type when ordering: intake or exhaust.
4. Approximate shipping weight is 5.6 lbs./sq.ft.

LOUVER SIZES

Min Panel	Max Single Panel
12"W x 12"H	48"W x 96"H

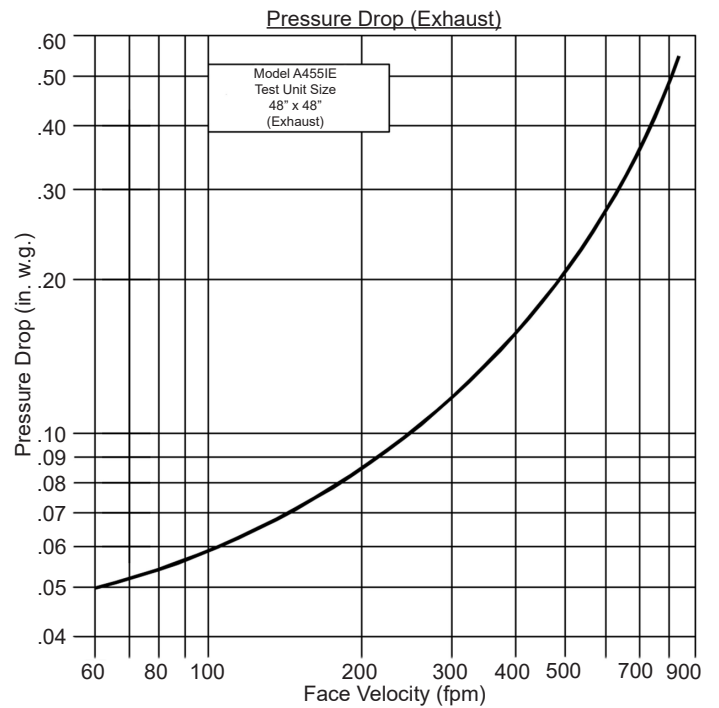
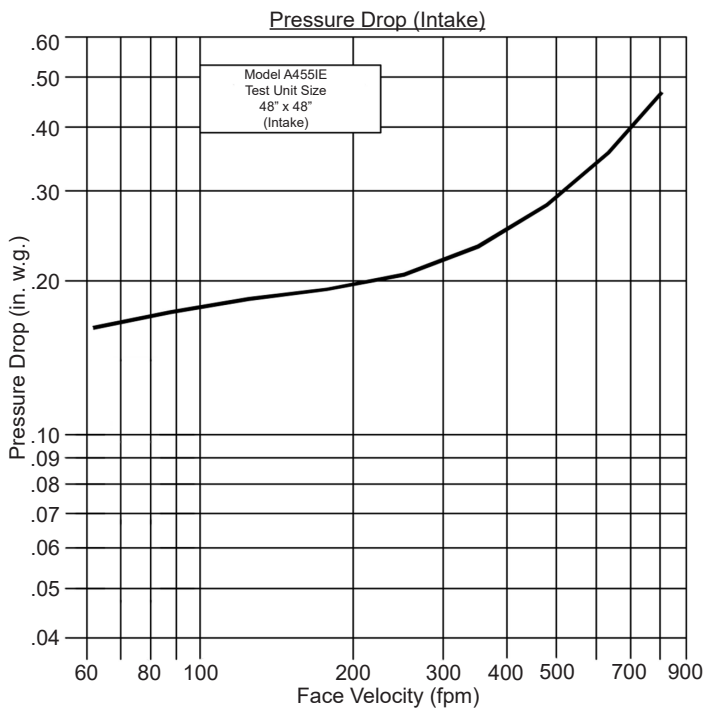


Item #	Qty	Width	Height	Width	Height	Mullion	Type	Location	Intake	Exhaust	
		Opening Size		Louver Size			Screens		Airflow Type		
Arch. / Eng. :						EDR:	ECN:		Job:		
Contractor:											
Project:						Date:	DWN:		DWG:		

PRESSURE DROP DATA

Without Ductwork

Louver installed per AMCA Standard 500-L, Figure 5.4 (Face Mounted to a Plenum). Pressure is corrected to .075 lb./cu. ft. air density.



Typical performance for Model A455IE combination louver, without the use of blade linkage, counterweights, and screens.